

High Pressure Screw Type Coupling

Series

SH ⇒ metal seal

SM ⇒ polymer



Screw Type Coupling

Applications:

Jumpers, umbilical terminations, manifolds, SDUs, hose extension, surface or diver operated

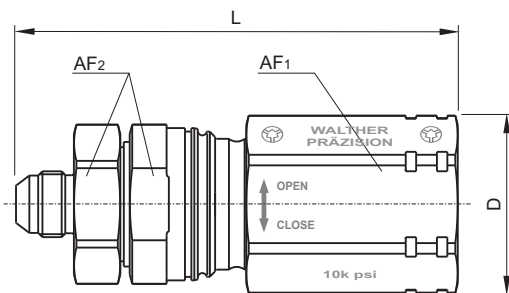
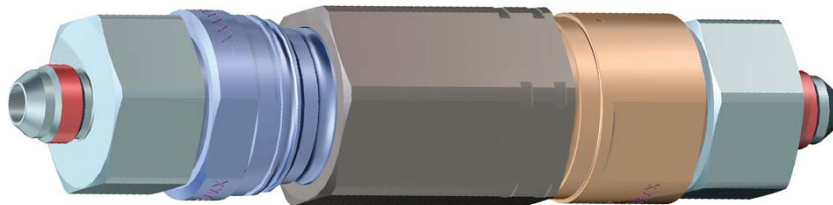
Features:

- Version for hose extension; version for panel mounting
- Connect, disconnect under pressure
- Suitable for water based hydraulic fluids and chemical injection
- Design life: 25 Years
- Dual sealing, all primary seals metallic
- Metal seals for unlimited number of connections
- Generous "lead-in" of locking sleeve ensures easy and trouble free mating under poor visibility
- Low connection torque due to low friction thread
- Optional non-interchangeable coding available
- Pressure tight protection plugs / caps available

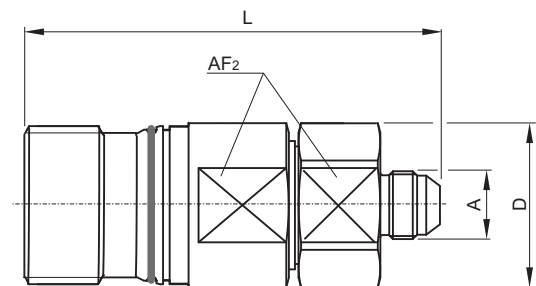
Material:

Stainless Steel 1.4404 (AISI 316 L), bronze, duplex, Nitronic 50, Hiduron

Hose extension



Adaptor (male half), subsea side

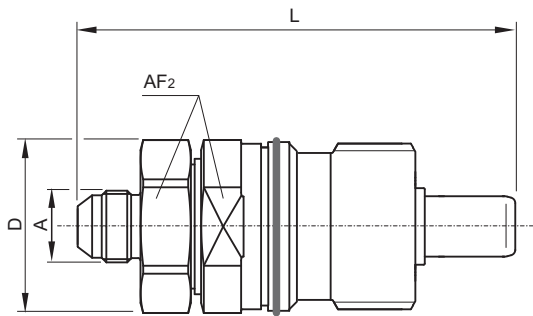


Coupling (female half), retrievable

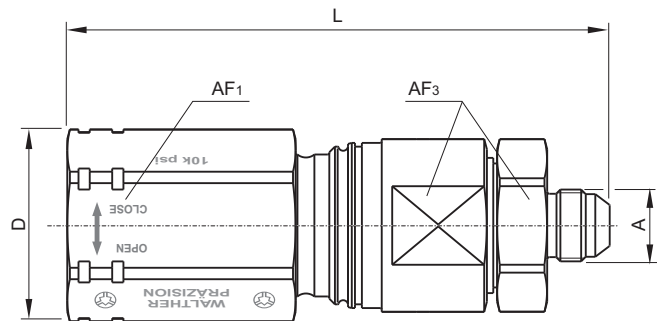
Nom. Bore [mm]	Type		L [mm]	D [mm]	AF1 [mm]	AF2 [mm]	Working pressure rating [psi]	Cv value	Recommended connection torque [Nm]	A End connection e.g.
6	SH-006- _____	Coupling	84	33,5	—	30	10.000	0,6	65	JIC # 6
	SH-006- _____		Adaptor	100,4	37,7	34				
10	SH-010- _____	Coupling	116,8	46	—	41	10.000	1,5	130	JIC # 8
	SH-010- _____		Adaptor	137,4	51,2	50				
16	SH-016- _____	Coupling	126,8	55	—	50	10.000	4,6	250	JIC # 12
	SH-016- _____		Adaptor	155	66,9	60				

Screw Type Coupling

Panel mounting

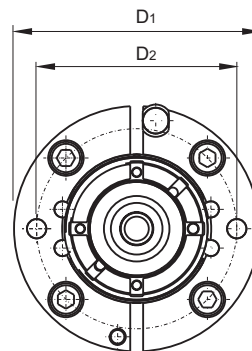
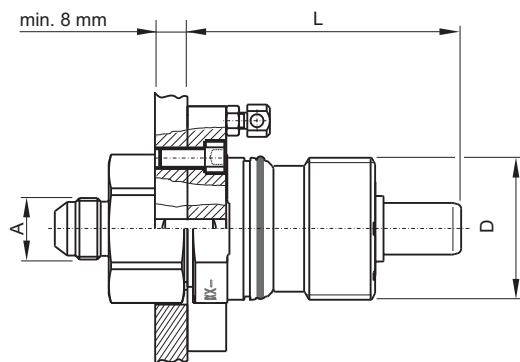


Adaptor (male half), subsea side



Coupling (female half), retrievable

Bracket for bulkhead mounting



Nom. Bore [mm]	Type		L [mm]	D [mm]	D1 [mm]	D2 [mm]	AF1 [mm]	AF2 [mm]	AF3 [mm]	Working pressure rating [psi]	CV value	Recommended connection torque [Nm]	A End connection e.g.
6	SH-006-_____	Coupling	110,8	84	—	—	30	—	30	10.000	0,6	65	JIC # 6
	SH-006-_____	Adaptor	93,6	100,4	—	—	—	30	—				JIC # 6
	SH-006-_____	Bracketed	—	—	67	54	—	—	—				—
10	SH-010-_____	Coupling	154,9	116,8	—	—	41	—	41	10.000	1,5	130	JIC # 8
	SH-010-_____	Adaptor	125,9	137,4	—	—	—	41	—				JIC # 8
	SH-010-_____	Bracketed	—	—	76	62	—	—	—				—
16	SH-016-_____	Coupling	175,1	126,8	—	—	41	—	41	10.000	4,6	250	JIC # 12
	SH-016-_____	Adaptor	136,5	155	—	—	—	46	—				JIC # 12
	SH-016-_____	Bracketed	—	—	85	71	—	—	—				—

Screw Type Coupling

Applications:

For umbilical bundling and testing in factory use SM-003
 For umbilical testing in production and temporary subsea use SM-004

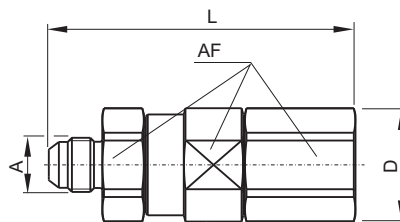
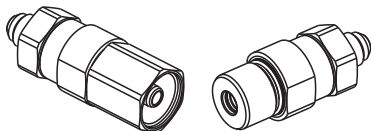
Features:

- Connect / disconnect under pressure
- Suitable for water based hydraulic fluids and chemical injection
- Elastomeric, polymeric seals
- Generous "lead-in" of locking sleeve ensures positive trouble free make-up under poor visibility
- Low connection force due to low friction thread
- Protection plugs / caps available

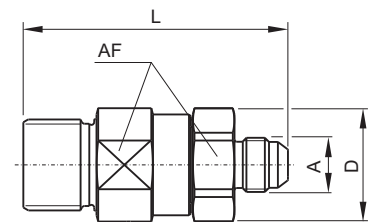
Material:

Stainless Steel 1.4404 (AISI 316 L), bronze, duplex, Nitronic 50

for pressure testing during production



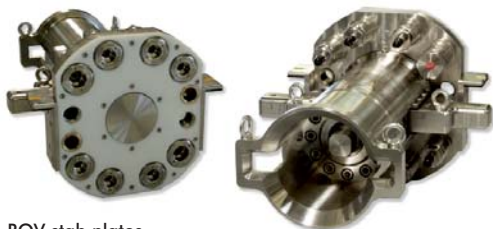
Adaptor (male half)



Coupling (female half)

Nom. Bore [mm]	Type		L [mm]	D [mm]	AF [mm]	Working Pressure Rating [psi]	Cv value	Recommended connection torque [Nm]	A End connection e.g.
3	SM-003- SM-003-	Coupling Adaptor	32,4 36,4	15,5 14,3	13 14	3.000	0,12	3	JIC#6
4	SM-004- SM-004-	Coupling Adaptor	69,8 80,9	29,9	27	10.000	0,57	30	JIC#4-6
4	SM-004- SM-004-	Coupling Adaptor	71,1 82,5	29,9	27	15.000	0,57	30	Autoclave

Stabplates to connect multiple lines by ROV or manually



ROV stab plates
 Type 91561
 also available with HFL, fully assembled



Workover stabplates
 Type 91553

PBU • 10/2015

