

**High Pressure  
Screw Type Coupling**

**Series**

**SH** ⇨ metal seal  
**SM** ⇨ polymer



# Screw Type Coupling



## Applications:

Jumpers, umbilical terminations, manifolds, SDUs, hose extension, surface or diver operated

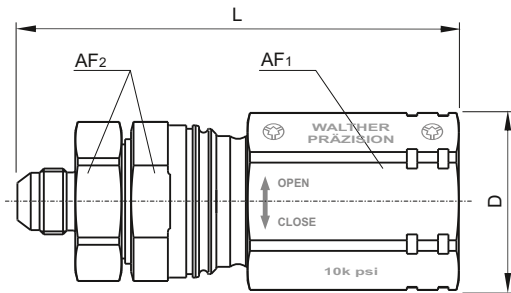
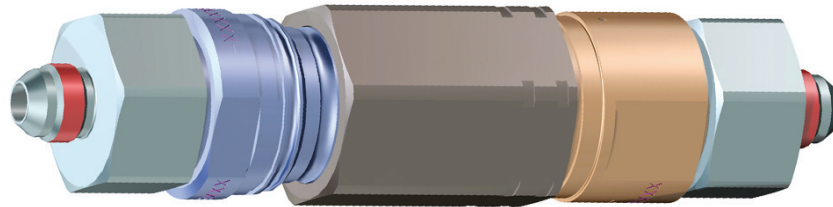
## Features:

- Version for hose extension; version for panel mounting
- Connect, disconnect under pressure
- Suitable for water based hydraulic fluids and chemical injection
- Design life: 25 Years
- Dual sealing, all primary seals metallic
- Metal seals for unlimited number of connections
- Generous "lead-in" of locking sleeve ensures easy and trouble free mating under poor visibility
- Low connection torque due to low friction thread
- Optional non-interchangeable coding available
- Pressure tight protection plugs / caps available

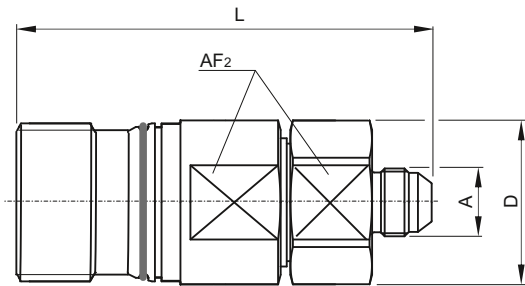
## Material:

Stainless Steel 1.4404 (AISI 316 L), bronze, duplex, Nitronic 50, Hiduron

## Hose extension



Adaptor (male half), subsea side

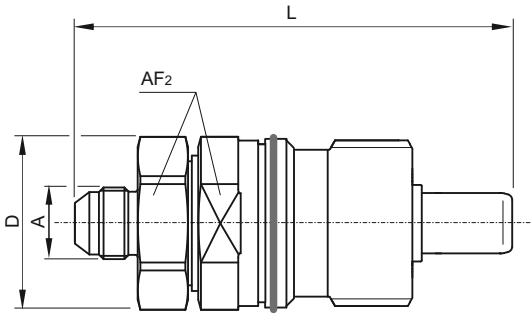
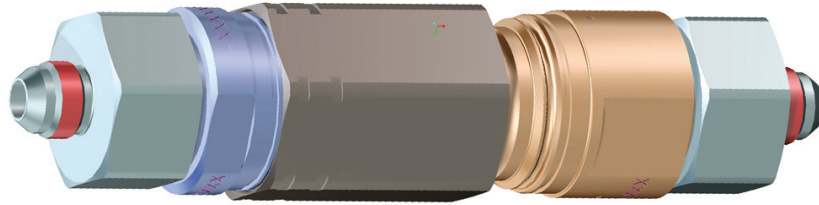


Coupling (female half), retrievable

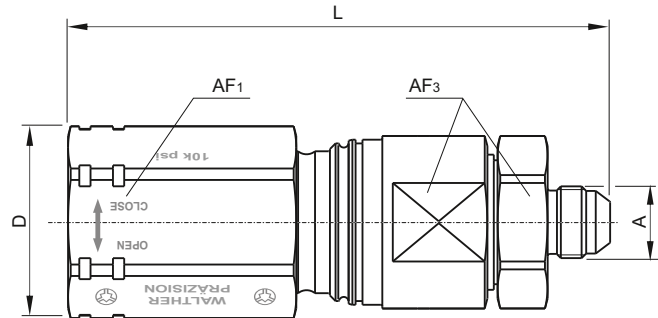
Nom. Bore [mm]	Type		L [mm]	D [mm]	AF1 [mm]	AF2 [mm]	Working pressure rating [psi]	Cv value	Recommended connection torque [Nm]	A End connection e.g.
6	SH-006-_____	Coupling	84	33,5	—	30	10.000	0,6	65	JIC # 6
	SH-006-_____	Adaptor	100,4	37,7	34	30				
10	SH-010-_____	Coupling	116,8	46	—	41	10.000	1,5	130	JIC # 8
	SH-010-_____	Adaptor	137,4	51,2	50	41				
16	SH-016-_____	Coupling	126,8	55	—	50	10.000	4,6	250	JIC # 12
	SH-016-_____	Adaptor	155	66,9	60	50				

# Screw Type Coupling

## Panel mounting

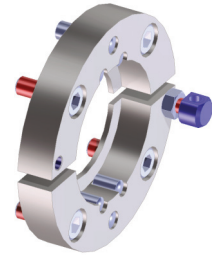
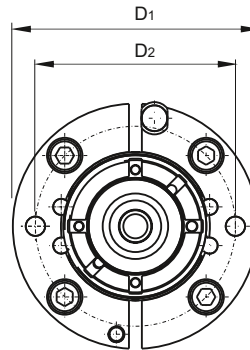
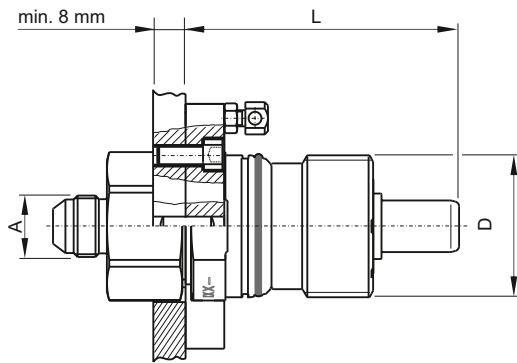


Adaptor (male half), subsea side



Coupling (female half), retrievable

## Bracket for bulkhead mounting



Nom. Bore [mm]	Type		L [mm]	D [mm]	D1 [mm]	D2 [mm]	AF1 [mm]	AF2 [mm]	AF3 [mm]	Working pressure rating [psi]	CV value	Recommended connection torque [Nm]	A End connection e.g.
6	SH-006-_____	Coupling	110,8	84	—	—	30	—	30	10.000	0,6	65	JIC # 6
	SH-006-_____	Adaptor	93,6	100,4	—	—	—	30	—				JIC # 6
	SH-006-_____	Bracketed	—	—	67	54	—	—	—				—
10	SH-010-_____	Coupling	154,9	116,8	—	—	41	—	41	10.000	1,5	130	JIC # 8
	SH-010-_____	Adaptor	125,9	137,4	—	—	—	41	—				JIC # 8
	SH-010-_____	Bracketed	—	—	76	62	—	—	—				—
16	SH-016-_____	Coupling	175,1	126,8	—	—	41	—	41	10.000	4,6	250	JIC # 12
	SH-016-_____	Adaptor	136,5	155	—	—	—	46	—				JIC # 12
	SH-016-_____	Bracketed	—	—	85	71	—	—	—				—

# Screw Type Coupling

## Applications:

For umbilical bundling and testing in factory use SM-003  
 For umbilical testing in production and temporary subsea use SM-004

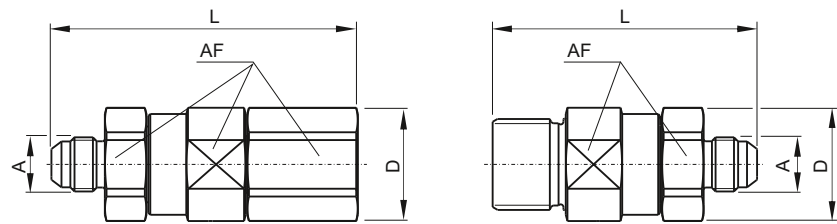
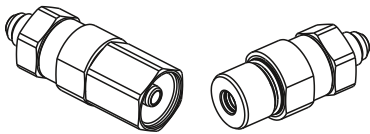
## Features:

- Connect / disconnect under pressure
- Suitable for water based hydraulic fluids and chemical injection
- Elastomeric, polymeric seals
- Generous "lead-in" of locking sleeve ensures positive trouble free make-up under poor visibility
- Low connection force due to low friction thread
- Protection plugs / caps available

## Material:

Stainless Steel 1.4404 (AISI 316 L), bronze, duplex, Nitronic 50

### for pressure testing during production

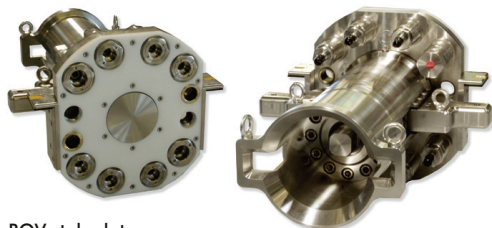


Adaptor (male half)

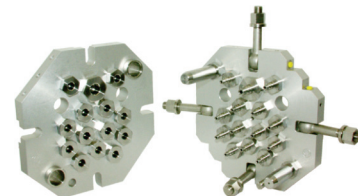
Coupling (female half)

Nom. Bore [mm]	Type		L [mm]	D [mm]	AF [mm]	Working Pressure Rating [psi]	Cv value	Recommended connection torque [Nm]	A End connection e.g.
3	SM-003- ----	Coupling	32,4	15,5	13	3.000	0,12	3	JIC#6
	SM-003- ----	Adaptor	36,4	14,3	14				
4	SM-004- ----	Coupling	69,8	29,9	27	10.000	0,57	30	JIC#4-6
	SM-004- ----	Adaptor	80,9						
4	SM-004- ----	Coupling	71,1	29,9	27	15.000	0,57	30	Autoclave
	SM-004- ----	Adaptor	82,5						

## Stabplates to connect multiple lines by ROV or manually



ROV stab plates  
 Type 91561  
 also available with HFL, fully assembled



Workover stabplates  
 Type 91553

